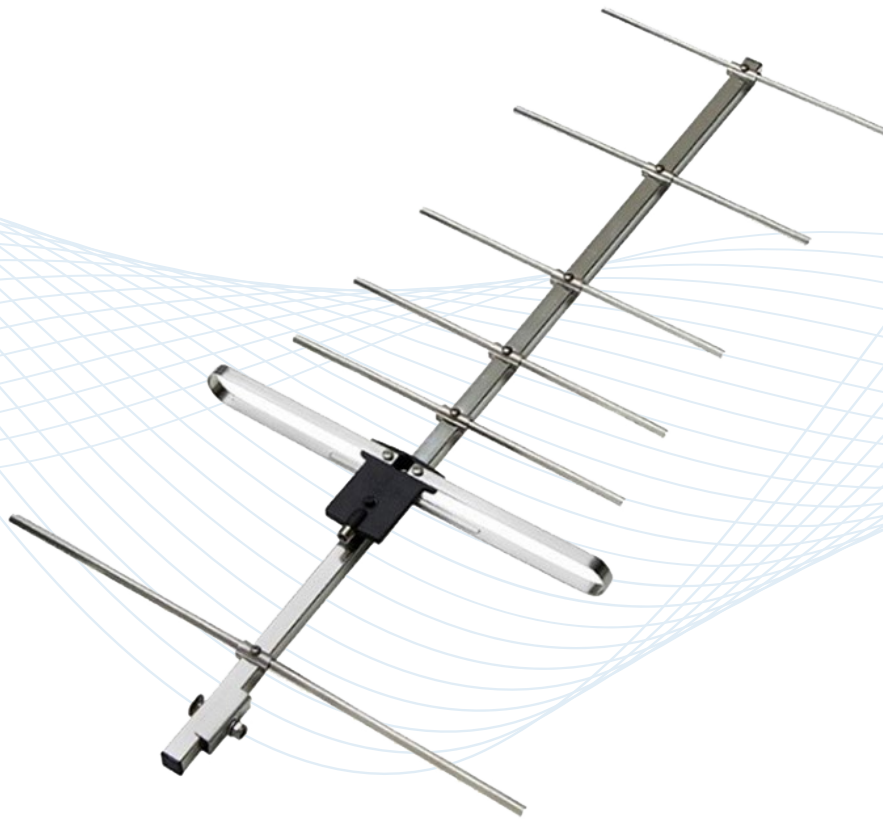


Smarteq™ Yagi 7-Element High Gain Antennas for Harsh Environments

LTE450/CDMA450/TETRA/ISM433/444 - Yagi

ABY7-11



Description

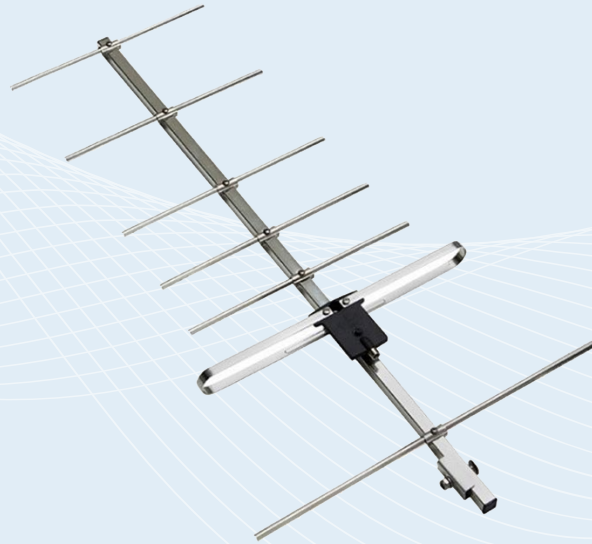
A high gain directional antenna with 7 elements for secure and long range connectivity.

Technologies

- LTE 450
- CDMA 450
- TETRA
- ISM 433/444

Features

- Directional high gain antenna
- Frequency: 380-470MHz
- Gain: 9dBi
- Pole mounted ABY7-11
- DC-grounded



Smarteq™ Yagi 7-Element High Gain Antennas for Harsh Environments

LTE450/CDMA450/TETRA/ISM433/444 - Yagi

The Smarteq™ ABY7-11 are a high gain directional Yagi antennas designed to be used in harsh environments with DC grounding to protect customer equipment.

Features

- Directional high gain antenna
- Frequency: 380-470MHz
- Gain: 9dBi
- Pole mounted ABY7-11
- DC-grounded

Applications

- Smart Cities
- EV Charging
- Small Cells
- Industrial IoT

Certifications



RoHS
COMPLIANT

SPECIFICATIONS

Smarteq™ Yagi 7-Element High Gain Antennas for Harsh Environments

LTE450/CDMA450/TETRA/ISM433/444 - Yagi

Electrical Specifications

Frequency Range	380 – 500MHz
Impedance	50Ω
Polarization	Vertical
VSWR	1.8:1
Gain	9dBi
F/B ratio	15dB
Max. Power	15W

Mechanical and Environmental Specifications

Physical

Dimensions (L x W x H)	720 x 400 x 40mm
Weight	290g
Connector	Type FME-m
Material	Aluminium alloy
Installation	ABY-11 Pole mount
Wind Speed	25m/s
Flat Plate eq.	0.045m ²
Operating/Storage Temperature	-40°C to +85°C
Certifications	RoHS compliant

CONTACT US

**For more information about
this product contact your
sales representative or visit
> pctel.com/antenna-products**

Solving Complex Wireless Challenges

PCTEL is a leading global provider of wireless technology solutions, including purpose-built Industrial IoT devices, antenna systems, and test and measurement products. Trusted by our customers for 29 years, we solve complex wireless challenges to help organizations stay connected, transform, and grow.



PCTEL, Inc.

T: +1 630 372 6800 | pctel.com

Specifications subject to change without notice. PCTEL® and Smarteq™ are trademarks or registered trademarks of PCTEL, Inc. ©2023 PCTEL, Inc. All rights reserved. (March 2026)